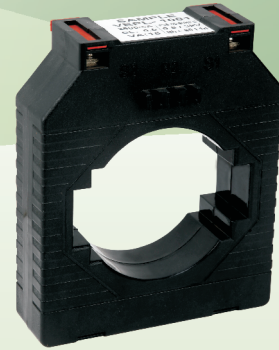


**Features:**

- ▶ ABS plastic moulding
- ▶ Apertures accepting a wide range of bus bar
- ▶ CTs are ultrasonically welded and unbreakable



**Advantages:**

- ▶ Easy bus bar mounting
- ▶ Highly cost effective
- ▶ Compact in size

**Applications:**

- ▶ Switchgear
- ▶ Distribution system
- ▶ Generator sets
- ▶ Control Panels
- ▶ Control Devices
- ▶ Overload protection

**Input Specifications**

Rated Primary Current      400A to 2000A  
 Rated Secondary Output    5A/1A (Consult factory)

**Technical Specifications**

Rated Burden                    5VA, 10VA ,15VA & 30VA  
 Class of Accuracy            0.5 and 1  
 Thermal Nominal Continuous   1.2 times rated current continuously  
 Rated Current                 2.55x Ith  
 Thermal Short Circuit Current   60xIn  
 Insulation Class                Class E  
 Max. Operating Voltage       720V maximum  
 Insulation Test Voltage       3KV AC for 1 minute  
 Compliance Standard        VE404 and IEC185

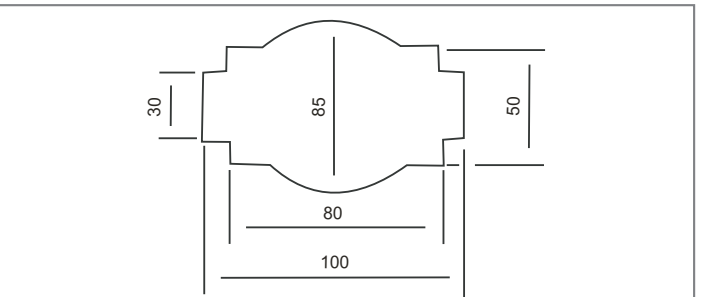
**Environmental Specification**

Operating Temperature        20°C to 70°C  
 Storage Temperature         0° to 55°C  
 Humidity                        <95% RH

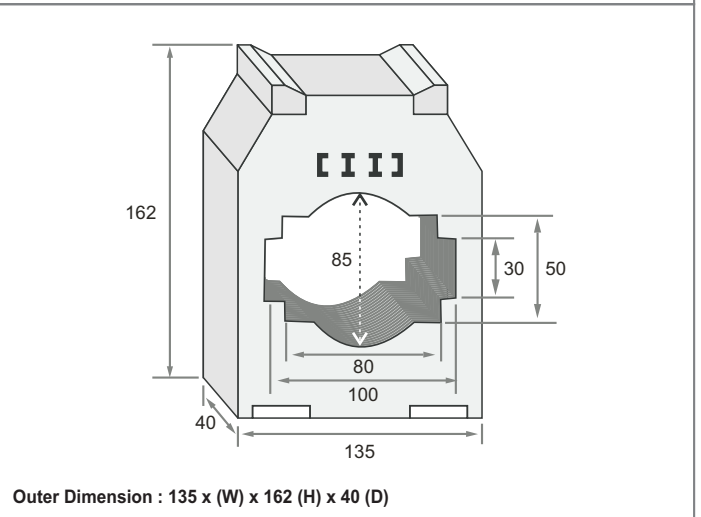
**Ordering Information**

Ordering Code	Ratio	Class	Burden (VA)
VIPS 1001-400/5-0.5-5	400/5	0.5	5
VIPS 1001-500/5-0.5-5	500/5	0.5	5
VIPS 1001-600/5-0.5-5	600/5	0.5	5
VIPS 1001-750/5-0.5-10	750/5	0.5	10
VIPS 1001-800/5-0.5-10	800/5	0.5	10
VIPS 1001-1000/5-0.5-15	1000/5	0.5	15
VIPS 1001-1200/5-0.5-15	1200/5	0.5	15
VIPS 1001-1250/5-0.5-15	1250/5	0.5	15
VIPS 1001-1500/5-0.5-15	1500/5	0.5	15
VIPS 1001-1600/5-0.5-15	1600/5	0.5	15
VIPS 1001-2000/5-0.5-15	2000/5	0.5	15
VIPS 1001-2500/5-0.5-15	2500/5	0.5	15
VIPS 1001-3000/5-0.5-30	3000/5	0.5	30
VIPS 1001-4000/5-0.5-30	4000/5	0.5	30

**Dimensions**



Bus Bar Dimension (mm) : 30 x 100, 50 x 80, Ø85



Outer Dimension : 135 x (W) x 162 (H) x 40 (D)